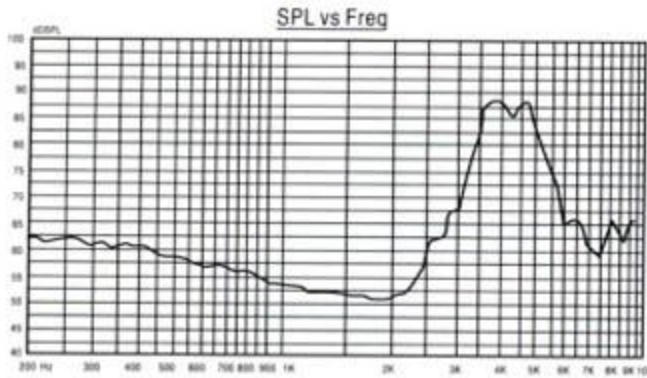


## SPT-G1701 PIEZO SMD TRANSDUCER

FREQUENCY RESPONSE  
[actual curve of type]



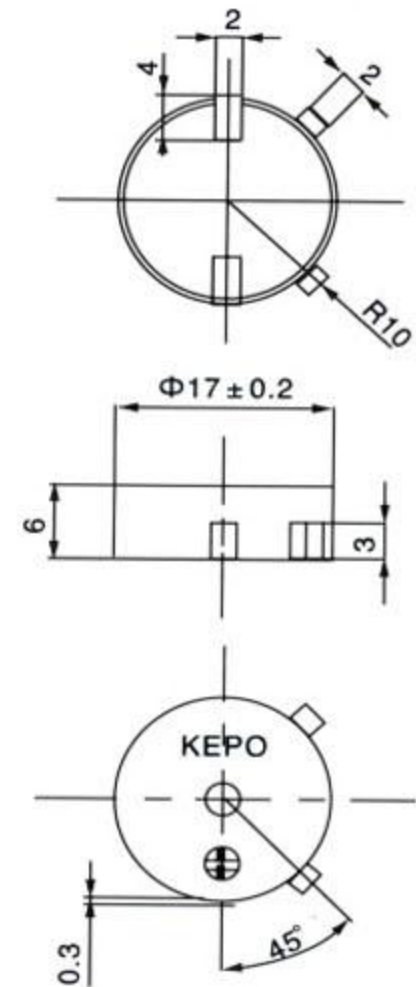
<b>Model No</b>	<b>SPT-G1701</b>
Rated Voltage	12Vp-p Square Wave
Max Allowable Voltage	30Vp-p Square Wave
Min Sound Pressure Level	90dB/12Vp-p Square Wave/4.0KHz/10cm
Capacitance at 100HZ	15 ± 30% nF
Resonant Frequency	4.0 ± 0.5KHz
Tone Nature	Continuous
Operating Temperature	-20~+75°C
Storage Temperature	-30~+85°C
Weight	2g

RoHS  
Compliant



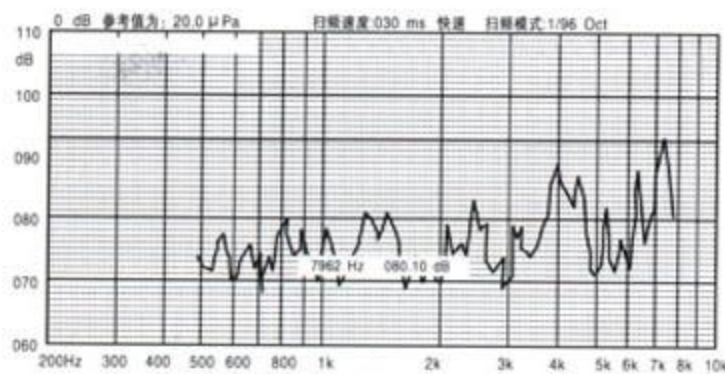
color Black  
PPS Housing Material  
SMD Terminal

### DIMENSIONS



## SPT-G1750A PIEZO SMD TRANSDUCER

FREQUENCY RESPONSE  
[actual curve of type]



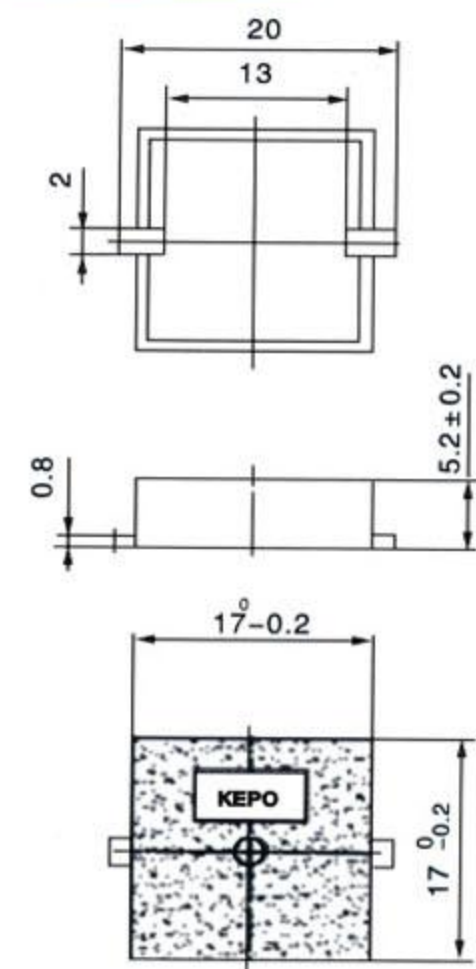
<b>Model No</b>	<b>SPT-G1750A</b>
Rated Voltage	12Vp-p Square wave
Max Allowable Voltage	30Vp-p Square wave
Max Rated Current	2mA
Min. Sound Pressure Level	85dB/12Vp-p Square Wave/4.0KHz/10cm
Capacitance at 100HZ	15 ± 30% nF
Resonant Frequency	4.0 ± 0.5KHz
Tone Nature	Continuous
Operating Temperature	-20~+85°C
Storage Temperature	-30~+100°C
Weight	1.5g

RoHS  
Compliant



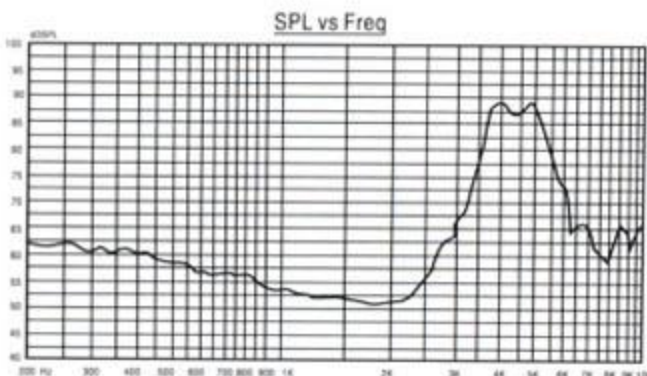
color Black  
PPS Housing Material  
SMD Terminal

### DIMENSIONS



## SPT-G1872B PIEZO SMD TRANSDUCER

FREQUENCY RESPONSE  
[actual curve of type]



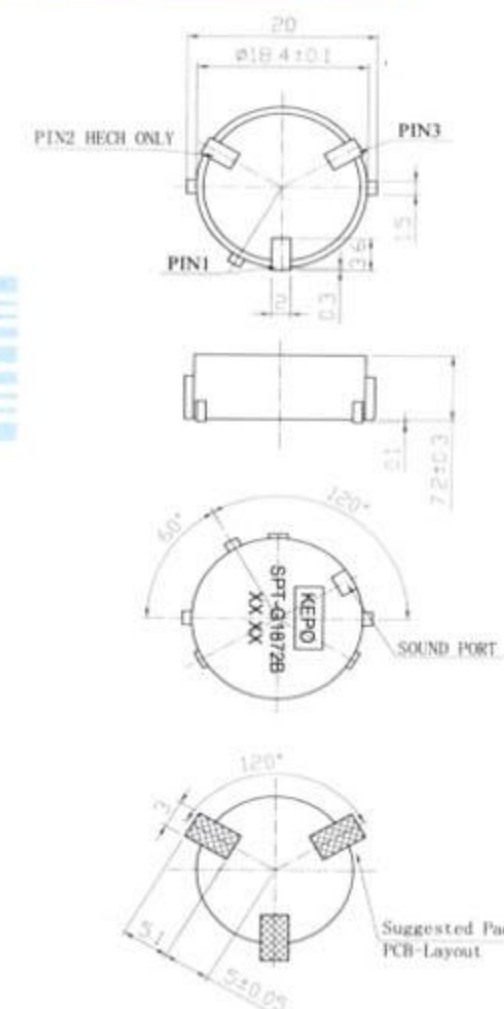
<b>Model No</b>	<b>SPT-G1872B</b>
Rated Voltage	3.6Vp-p Square Wave
Max Allowable Voltage	30Vp-p Square Wave
Min Sound Pressure Level	Min72dB at 2KHz/3.6Vp-p Square Wave/10cm
Capacitance at 100HZ	28000pF ± 30%
Rated Frequency	2.0KHz
Tone Nature	Continuous
Operating Temperature	-40~+85°C
Storage Temperature	-40~+85°C
Weight	2.0g

RoHS  
Compliant



color Black  
PPS Housing Material  
SMD Terminal

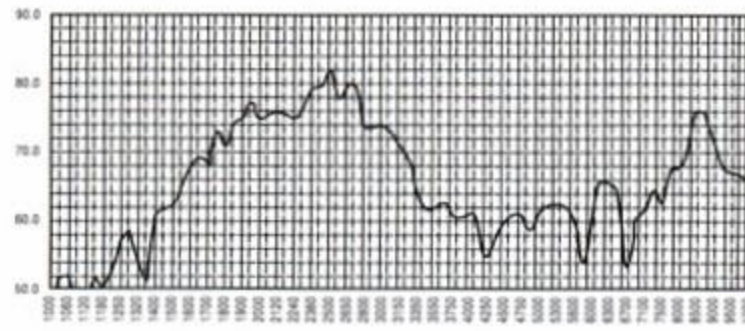
### DIMENSIONS



# Piezo SMD Transducer/SMD Buzzer

## SPT-G2271 PIEZO SMD TRANSDUCER

FREQUENCY RESPONSE  
[actual curve of type]

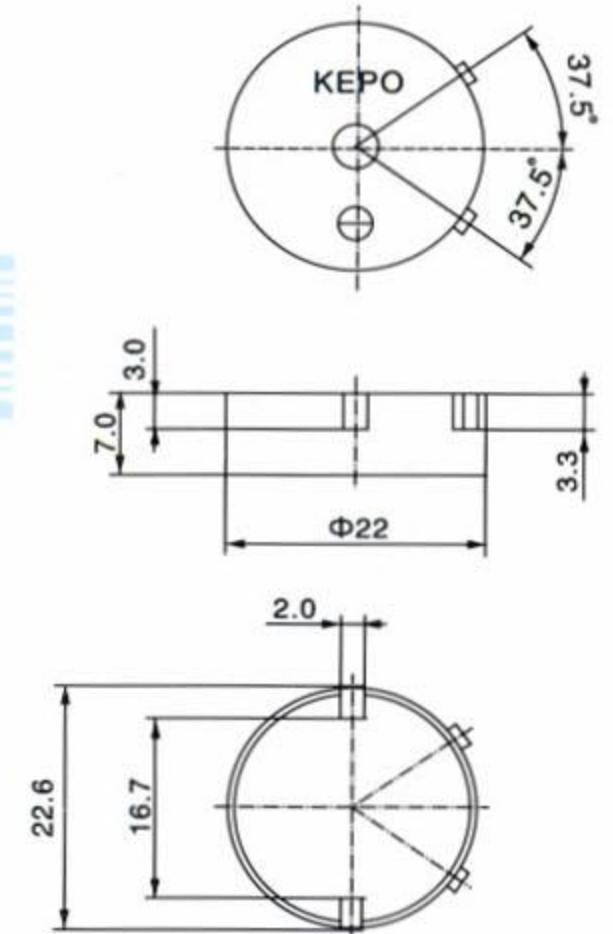


Model No	SPT-G2271
Rated Voltage	3Vp-p Square Wave
Max Allowable Voltage	25Vp-p Square Wave
Min Sound Pressure Level	75dB at 2KHz/3Vp-p Square Wave/10cm
Capacitance at 100HZ	19000 pF ± 30% at 100Hz
Resonant Frequency	2.0 ± 0.5KHz
Tone Nature	Continuous
Operating Temperature	-20~+75°C
Storage Temperature	-30~+85°C
Weight	2.5 g

RoHS  
Compliant

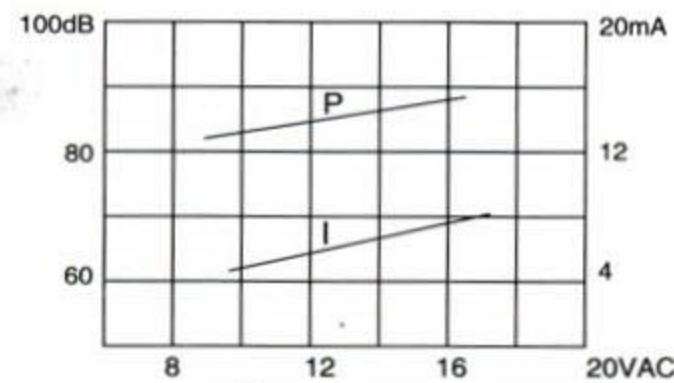


### DIMENSIONS



color Black  
PPS Housing Material  
SMD Terminal

## SPA-G1712 PIEZO SMD BUZZER

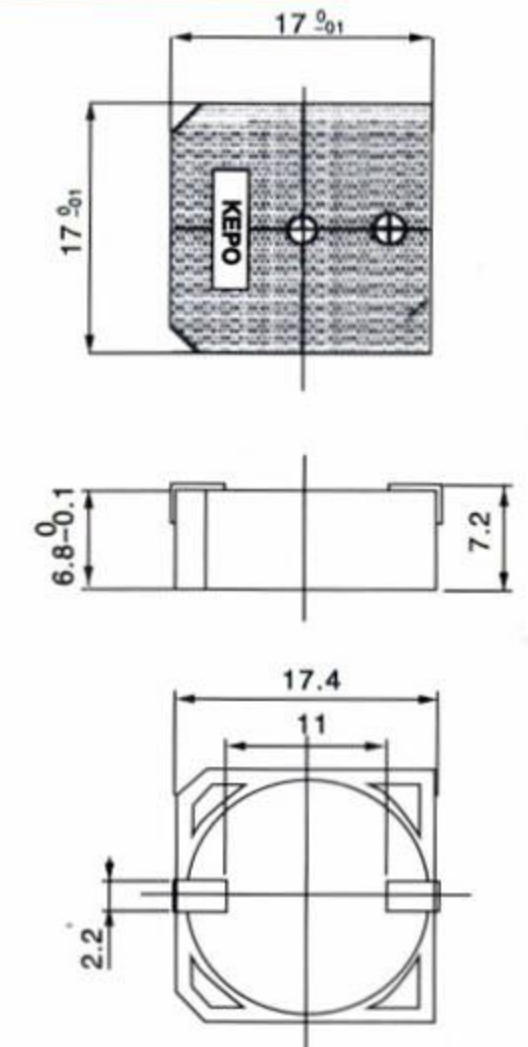


Model No	SPA-G1712
Rated Voltage	12VDC
Max Allowable Voltage	1.5-16VDC
Max Rated Current	10mA
Min Sound Pressure Level	80dB/12VDC/10cm
Resonant Frequency	4.0 ± 0.5KHz
Tone Nature	Continuous
Operating Temperature	-20~+85°C
Storage Temperature	-30~+100°C
Weight	2g

RoHS  
Compliant

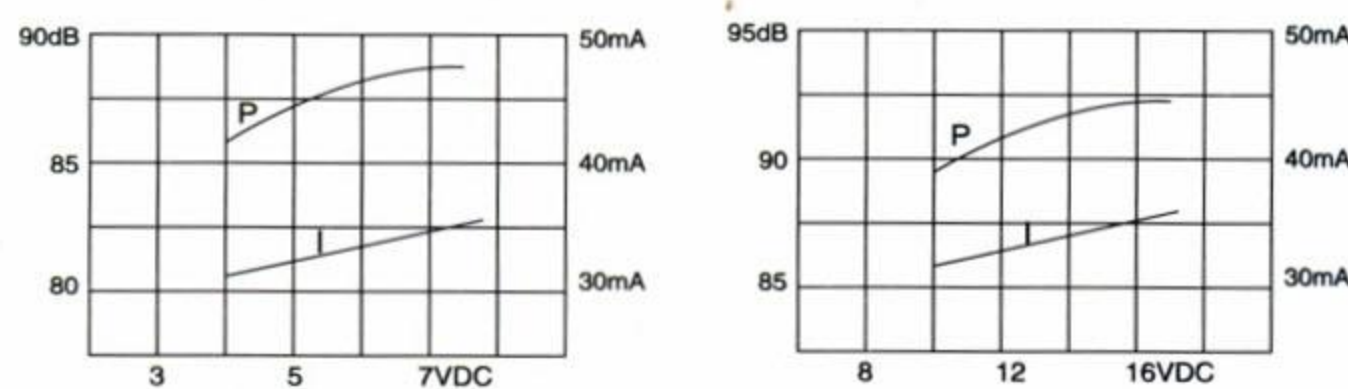


### DIMENSIONS



color Black  
PPS Housing Material  
SMD Terminal

## SMA-G 12XXB SERIES MAGNETIC SMD BUZZER

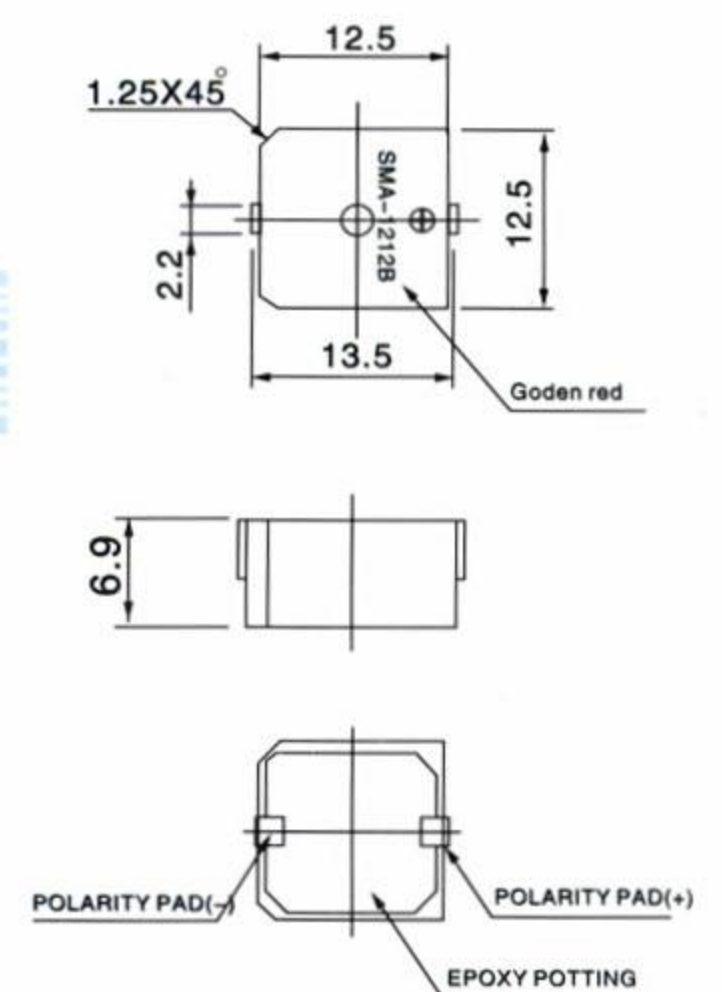


Model No	SMA-G1205B	SMA-G1212B
Rated Voltage	5VDC	12VDC
Operating Voltage	4~7VDC	8~15VDC
Max Rated Current	40mA	40mA
Min Sound Pressure Level	87dB/5VDC/10cm	90dB/12VDC/10cm
Resonant Frequency	2.3 ± 0.3 KHz	
Tone Nature	Continuous	
Operating Temperature	-20~+70°C	
Storage Temperature	-30~+80°C	
Weight	2g	

RoHS  
Compliant



### DIMENSIONS



color Black  
PPS Housing Material  
SMD Terminal