

# Thermostats

## HB-2 & HB-21

### Features

- Snap Action
- Manual and Automatic Resettable
- Safety Design according to IEC Standard
- Horizontal and Vertical Terminals Available
- Customized Wire Connection and Bracket Type Available
- Available with Both Normally Closed and Open Type Contacts
- Single Operation Device(SOD): Open on temperature rise, no closure unless the temperature 0°C or below -35°C

### Applications

- Automatic Coffee Makers, Water Heaters, Sandwich Toasters, Dish Washers, Boilers, Dryers, Electric Heaters, Washing Machines, Refrigerators, Microwave Ovens, Water Purifiers, Bidet, etc.

### Temperature Setting Range (at no load)

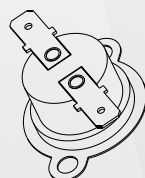
- -20°C ~ 180°C

### Tolerance

- Indicated temperature  $\pm 3^{\circ}\text{C}$ ,  $\pm 5^{\circ}\text{C}$

### Life Cycle(Resistive Load)

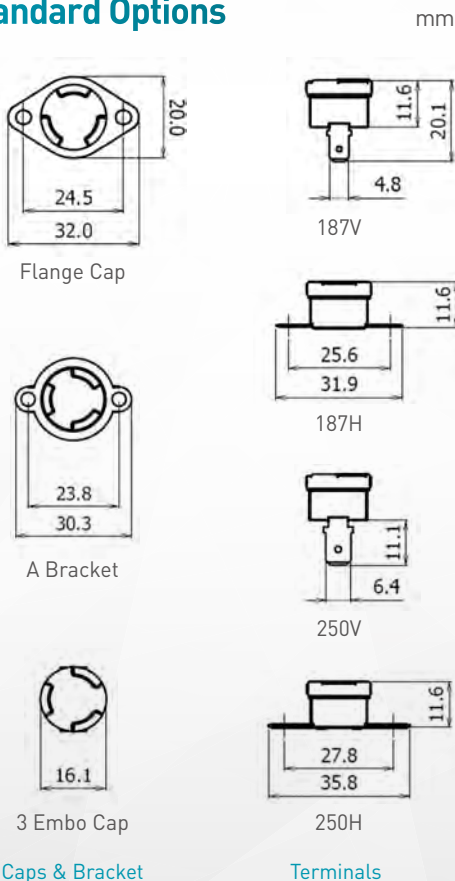
- 15A/125V AC 100,000 cycles
- 7.5A/250V AC 100,000 cycles



## Safety Approvals

Agency	Standard	Category	Electrical Ratings	Max Temp	File No.
UL US	UL 873 C22.2 No.24-93	Limiting Thermostats	AC 125V/15A, 250V/7.5A 100,000 cycles	150°C	E162183 (HB-5)
	UL 60730-1 UL 60730-2-9 CAN/CSA-E60730-1 CAN/CSA-E60730-2-9	Protective Control (Thermal Cut-Out)	AC 125V/15A, 250V/15A 100,000 cycles	150°C	E162183 (HB-2)
TUV SUD	EN 60730-1 EN 60730-2-9	Temperature Controller	AC 125V/15A, 250V/7.5A 100,000 cycles	150°C	B 094543 0003 (HB-2, HB-5)
CQC	GB/T14536.1-2008 GB/T14536.10-2008	Thermostat	AC 125V/15A, 250V/7.5A 10,000 cycles	150°C	CQC17002173860 (HB-2)
					CQC17002173859 (HB-5)
KC	KC60730-1 K60730-2-9	Thermostat	AC 250V/7.5A 100,000 cycles	150°C	ZH02003-15001 (HB-2, HB-5)
	K60730-2-9		AC 250V/15A 6,000 cycles	180°C	ZH02003-12001 (HB-21P)

## Standard Options



## Applications



Marketed By:

**Indian Technological Products Private Limited**

22-23, Type-B, Hartron Complex, Electronic City, Sector-18, Udyog Vihar, Gurgaon -122 016, Haryana (India)

Telephone: +91-124-4013646, 4013647 • Fax: +91-124-2398277

Email: sales@itpindia.in • [www.itpindia.com](http://www.itpindia.com) • CIN: U74899DL1986PTC023265

