

PANEL MOUNTING TERMINAL

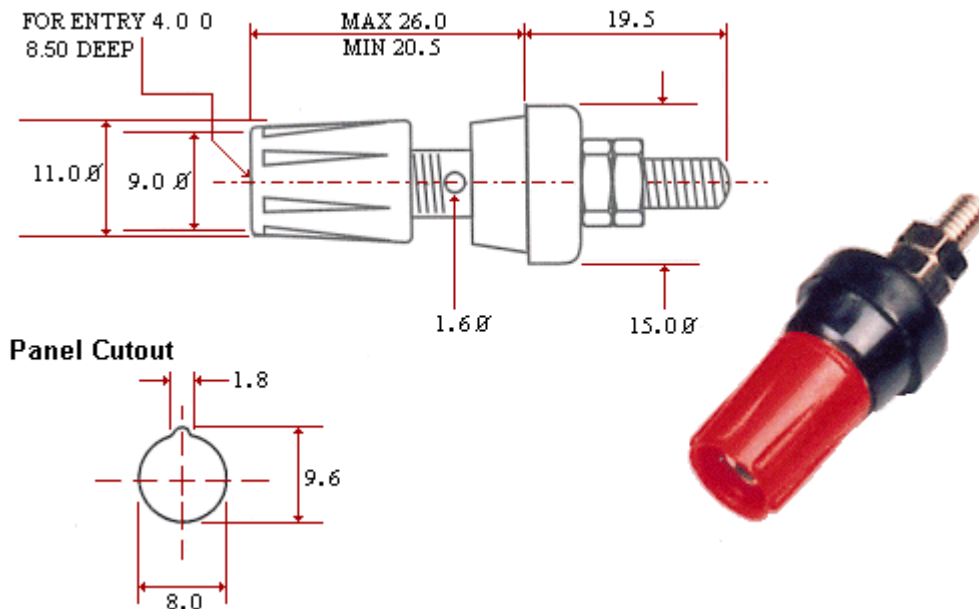


PT - 10

TECHNICAL SPECIFICATIONS :

Type	Panel Mounting
Current Rating	10 Amps @ 250V AC
Contact Resistance	20 m Ohms
Current Carrying Parts	Terminals: Brass, Nickel Plated .
H. V. Breakdown Test	1.2 KV/AC For 1 Minute .
Insulation Resistance	1000 M Ohms
Material	Thermoplastic .
Product App. Weight	10.0 gm .
Voltage Rating	250V AC .

DIMENSIONING :



HOW TO ORDER :

PT - 10	/RD					
Panel Mounting Terminal	Colour					
	RD	BK	BL	GN	WT	YL
	Red	Black	Blue	Green	White	Yellow



Indian Technological Products Private Limited

22-23, Type-B, Hartron Complex, Electronic City, Sector-18, Udyog Vihar, Gurgaon -122 016, Haryana (India)

Telephone: +91-124-4013646, 4013647 • Fax: +91-124-2398277

Email: sales@itpindia.in • www.itpindia.com • CIN: U74899DL1986PTC023265