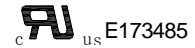
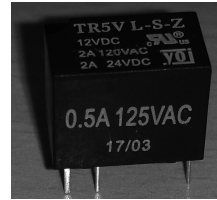


TR5V

- Designed for thermostat modem, computer peripherals, video recording and security applications
- Surge Strength 1500V FCC68
- Low coil power requirement for IC compatibility
- Terminals arranged on gird pattern
- Designed for compact, high density mounting
- Conform to RoHS, ELV directive


ORDERING CODE

TR5V <u>D</u> — <u>S</u> — <u>Z</u> / <u>12VDC</u> 1 2 3 4 5				
1. Relay Model				4. Z Form C
2. Coil Power D=0 3 6 W, L=0 2W, M=0 1 5 W				5. Coil Nominal Voltage 3,5,6,9,12,24VDC
3. S: Sealed				

COIL DATA (at 20°C)

	3	5	6	9	12	24	
Nominal Voltage (VDC)	3	5	6	9	12	24	0.15W
Coil Resistance ($\Omega \pm 10\%$)	60	167	240	540	960	3840	
Rated Current (mA)	50	29.9	25	16.7	12.5	6.3	
Max Operate Voltage (VDC)	2.4	4	4.8	7.2	9.6	19.2	
Min Release Voltage (VDC)	0.3	0.5	0.6	0.9	1.2	2.4	
Coil Resistance ($\Omega \pm 10\%$)	45	125	180	405	720	2880	0.2W
Rated Current (mA)	66.7	40	33.3	22.2	16.7	8.3	
Max Operate Voltage (VDC)	2.25	3.75	4.5	6.75	9	18	
Min Release Voltage (VDC)	0.3	0.5	0.6	0.9	1.2	2.4	
Coil Resistance ($\Omega \pm 10\%$)	25	70	100	220	400	1600	0.36W
Rated Current (mA)	120	72	60	40	30	15	
Max Operate Voltage (VDC)	2.25	3.75	4.5	6.75	9	18	
Min Release Voltage (VDC)	0.3	0.5	0.6	0.9	1.2	2.4	
Max Applicable Voltage	70°C 130%, 23°C 170%						

■ CONTACT DATA

Contact Form	1Z	
Contact Material	Silver Alloy	
Load	Resistive load(COS Φ =1)	
Contact Ratings	1A 120VAC 1A 24VDC	2A 120VAC 2A 24VDC
Minimum load	1mA 5VDC	
Max Switching Voltage	120VAC/60VDC	
Max Switching Current	1A	2A
Max Switching Power	120VA/30W	240VA/48W
Contact Resistance	100m Ω Max at 6VDC 1A	
Life Expectancy	Electrical : 100, 000 Operations(at30Operations/minute)	
	Mechanical : 10, 000, 000 Operations(at300Operations/minute)	

■ CHARACTERISTICS DATA

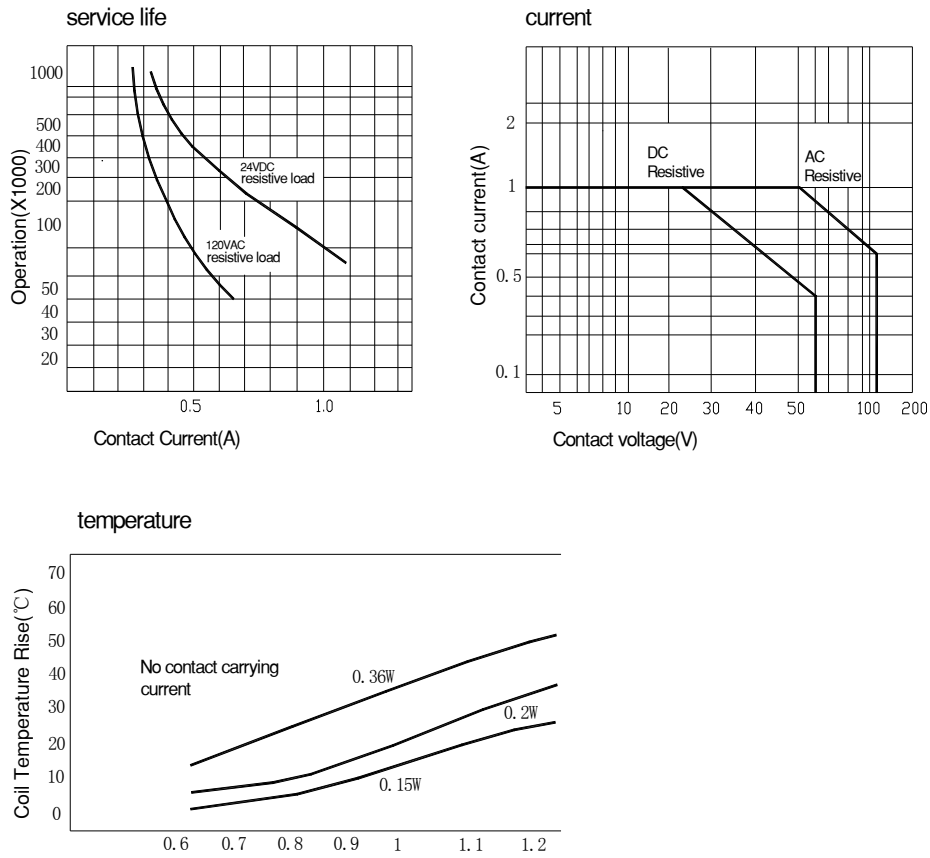
Insulation Resistance	1000M Ω Min at 500VDC
Dielectric Strength Between Open Contacts	400VAC(for one minute)
Between Contacts and coil	1000VAC(for one minute)
Operate Time	4ms
Release Time	3ms
Temperature Range	-30°C to +85°C
Shock Resistance	Operating Extremes : 10G
	Damage Limits : 100G
Vibration Resistance	10-55Hz, Double amplitude of 1.5mm
Max. switching frequency	Mechanical: 18,000operations/hr
	Electrical: 1,800operations/hr
Humidity	35-85%
Weight	Approx 2.2g
Safety Standard	UL cUL

■ APPROVED STANDARDS

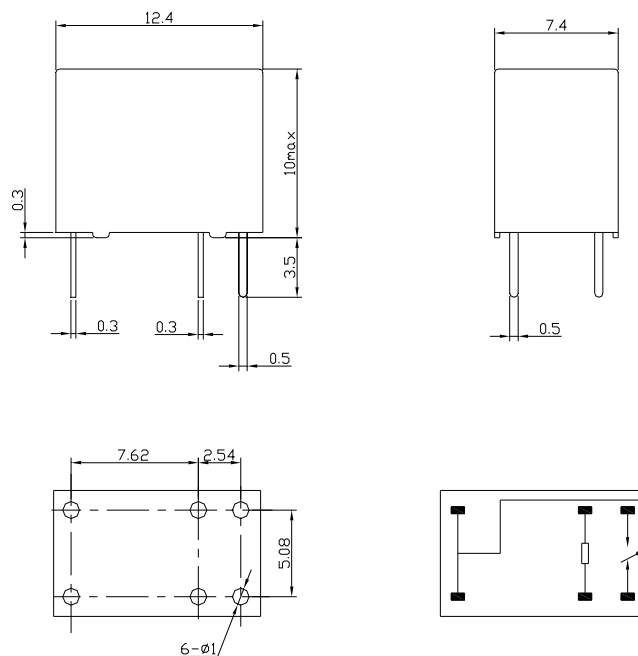
Model	Coiling rating	Safety Standard	Contact rating
TR5V	3 to 24VDC	UL/cUL	1A/2A 120VAC 1A/2A 24VDC

Indian Technological Products Private Limited

ENGINEERING DATA



OVERALL AND MOUNTING DIMENSIONS



Indian Technological Products Private Limited

22-23, Type-B, Hartron Complex, Electronic City, Sector-18, Udyog Vihar, Gurgaon -122 016, Haryana (India)
 Telephone: +91-124-4013646, 4013647 Fax: +91-124-2398277 Email: info@itpindia.in www.itpindia.com