



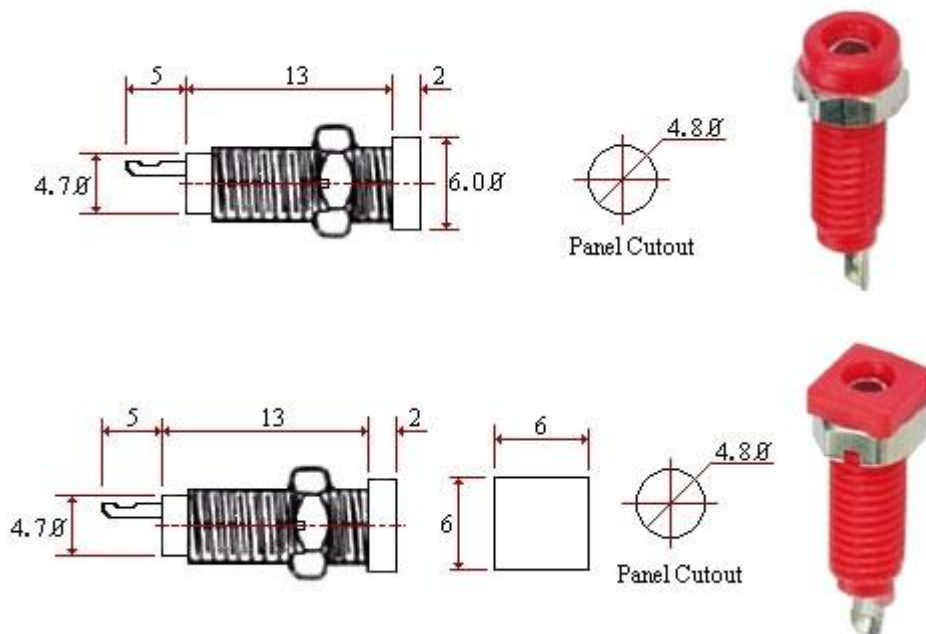
BANANA SOCKET

BS - 3

TECHNICAL SPECIFICATIONS :

Diameter	2 mm
Available Colours	Red, Black, Green, Blue, Yellow, White
Breakdown Voltage	500 V AC at 1 min.
Contact Resistance	5 m Ohms max.
Current Rating	7 Amps.
Insulation Resistance	100 M Ohms min. at 500 V DC

DIMENSIONING :



HOW TO ORDER :

BS-3	/R	
Banana Socket	Shape	
	R	S
	Round	Square



Indian Technological Products Private Limited

22-23, Type-B, Hartron Complex, Electronic City, Sector-18, Udyog Vihar, Gurgaon -122 016, Haryana (India)

Telephone: +91-124-4013646, 4013647 • Fax: +91-124-2398277

Email: sales@itpindia.in • www.itpindia.com • CIN: U74899DL1986PTC023265