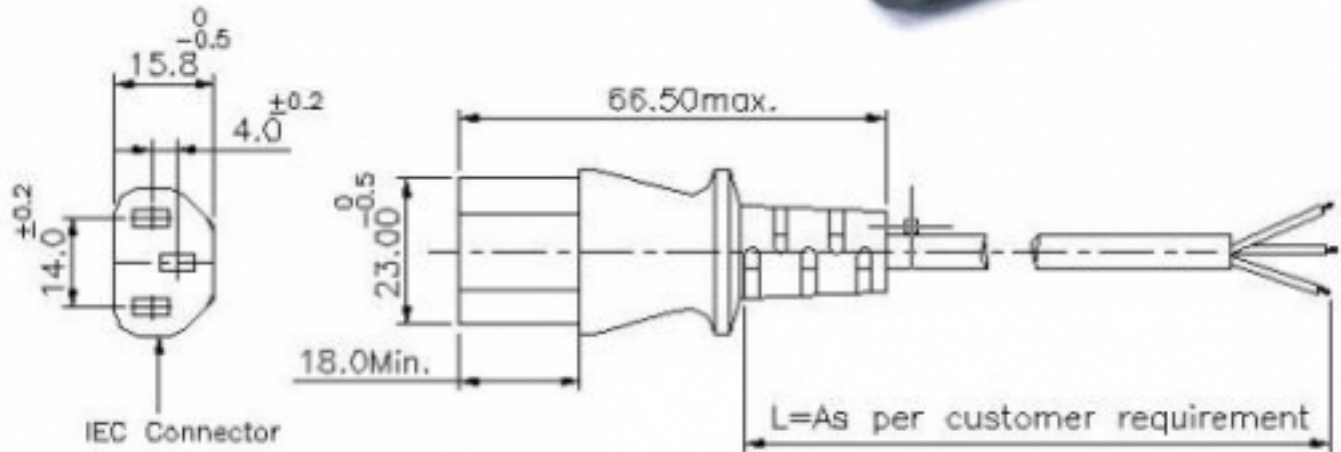




BASIC DIMENSIONS



Power Connector with cable (C-DOT Approved)

Specifications

Current Rating:	4 Amps @ 250V AC
Temp. Withstand:	70 Deg. C
Conductor Resistance:	39 m Ohms
Length:	Available in 1.5, 2, 2.5, 3 Meters Total Length Including End Mouldings
H. V. Break Down Test:	1.5 KV
Conductor Size:	0.5 Square mm



Indian Technological Products Private Limited

22-23, Type-B, Hartron Complex, Electronic City, Sector-18, Udyog Vihar, Gurgaon -122 016, Haryana (India)
 Telephone: +91-124-4013646, 4013647 • Fax: +91-124-2398277
 Email: sales@itpindia.in • www.itpindia.com • CIN: U74899DL1986PTC023265