



O/E/N 62 HEAVY-DUTY POWER RELAY

- International Standard Foot Print
- Continuous Current Rating upto 30A
- High Capacity
- Dust Protected / Sealed
- UL Approved

SPECIFICATIONS

Contact Arrangement	: 1 Form A/1 Form C
Contact Material	: Silver Alloy
Contact Rating	
Rated Voltage	: 230 VAC/24 VDC
Maximum Voltage	: 250 VAC
Maximum Continuous Current @ 230 VAC/24VDC	
1 Form A	: 30A
Motor load	: 2HP/230VAC
1 Form C	: N/O - 20A N/C - 10A
Maximum Power Rating	: 7500VA (SPST)
Nominal Coil Power	: 0.93W (approx)
Operating Power	: 0.50W (approx)
Life Expectancy	
Mechanical	: 10 ⁷ operations
Electrical	: 10 ⁵ operations
Switching Rate	: 20 Cpm
Contact Resistance (Initial)	: 50 milli Ohms
Dielectric Strength	
Between Contacts & Coil	: 4000 VRMS
Between Open Contacts	: 1500 VRMS
Insulation Resistance	: 10 Meg.Ohms at 500VDC, 25°C, RH50
Operate time at Nominal Voltage	: 10 m sec.(Typ)
Release time At Nominal Voltage	: 10 m sec.(Typ)
Ambient Temperature	: -55°C to +80°C
Solder time	: 5 sec. max
Weight	: 26 gms

Typical applications

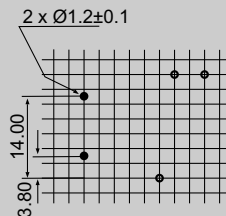
Air Conditioning Systems, Ventilation, Heater, Domestic Appliances, Security Systems, Power Conditioning Equipments

All dimensions are in mm. Specifications subject to change without notice. Tolerance unless otherwise specified is ± 10%

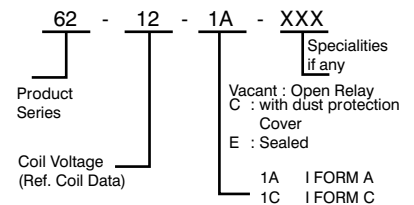
COIL DATA

Coil Voltage VDC	Pick-up Voltage VDC (Max)	Drop-out Voltage VDC (Min)	Coil Resistance at 20°C Ohms ± 10%
5	3.75	0.5	27
6	4.50	0.6	40
9	6.75	0.9	97
12	9.00	1.2	155
18	13.50	1.8	380
24	18.00	2.4	660
48	36.00	4.8	2480

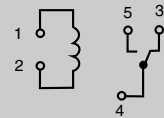
DRILLING PATTERN



HOW TO ORDER

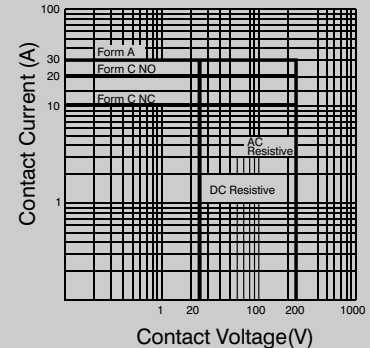


CIRCUIT DIAGRAMS

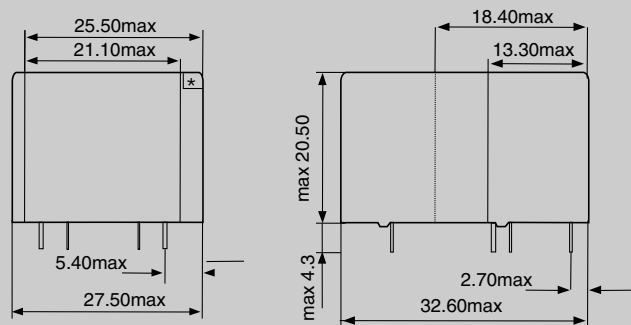


View : Terminal Side

Limiting Curve for Power Load



DIMENSIONS



* Vent hole to be opened after PCB Soldering & Cleaning