

70 HEAVY DUTY POWER RELAY

O/E/N

- Heavy duty upto 60A Switching
- High Capacity
- 1 Form C Contact
- AC & DC Versions available
- Dust Protected

SPECIFICATIONS

Contact Arrangement	: 1 Form C
Contact Material	: Silver Alloy
Contact Rating	
Rated Voltage	: 230V AC / 24VDC
Maximum Voltage	: 440 V AC/220V DC
Maximum Continuous Current at 230VAC/ 24VDC	: 60A
Maximum Power Rating	: 13800VA
Nominal Coil Power	: 1.8W (approx)
Life Expectancy	
Mechanical	: 10 ⁶ operations
Electrical	: 10 ⁵ operations
Contact Resistance (Initial)	: 50 milli Ohms
Dielectric strength	
Between Contacts & Coil	: 2000VRMS
Between Contacts/Contact	: 750VRMS
Insulation Resistance	: 1000 Meg. Ohms at 500VDC, 25°C, RH50
Operate time at	
Nominal Voltage	: 8 milli sec. (Max)
Release time at	
Nominal Voltage	: 2.7 milli sec. (Max)
Ambient Temperature	: - 45°C to + 60°C
Weight	: 130 gms (approx)

Typical applications

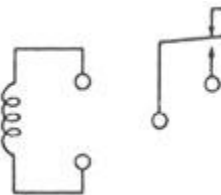
UPS, Voltage Stabilizers, Invertors, Photos Copiers, Motor Starters, Compressor Controls, Battery Charges etc.

All dimensions are in mm. Specifications subject to change without notice.

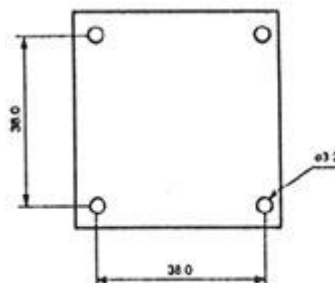
COIL DATA

Nominal Voltage	12	24
Pick_up Voltage VDC	9	18
Coil Resistance Ohms ± 10 %	75	170

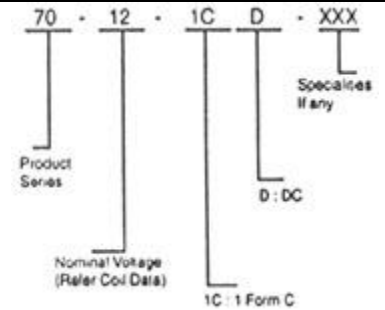
CIRCUIT DIAGRAM



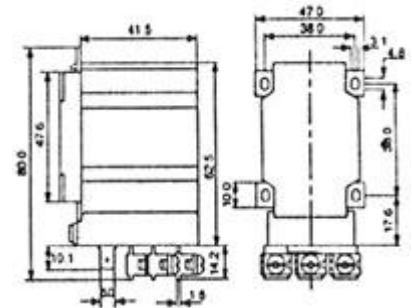
MOUNTING HOLES



HOW TO ORDER



DIMENSION



BOTTOM VIEW

