

TRV4

- 40A continuous rating 85°C
- Plug-in or PC board terminals
- Optional mounting bracket
- Conform to ROHS,ELV directive



ORDERING CODE

TRV4	L	—	12V (D1)	—	Z	—	F	—	P
1	2	3	4	5	6	7			
1. Relay Model					5. Z: Form C H: Form A D: Form B U: Form U				
2. Coil Power D=1.9W; L=1.6W									
3. Coil Nominal Voltage 6, 12, 24VDC									
4. Nil: Standard R1: Coil parallel with 1/2W resistor 680 Ω for Coil voltage 12VDC Coil parallel with 1/2W resistor 2700 Ω for coil voltage 24VDC D1/D2: With diode					6. F: WITH BRACKET Nil: WITHOUT BRACKET				
					7. P: PCB Type Nil: B Type				

COIL DATA (at 20°C)

Nominal Voltage (VDC)	6	12	24	
Coil Resistance (Ω ±10%)	23	90	360	1.6W
Rated Current (mA)	267	133	67	
Max Operate Voltage (VDC)	3.9	7.8	15.6	
Min Release Voltage (VDC)	0.6	1.2	2.4	
Coil Resistance (Ω ±10%)	19	76	300	1.9W
Rated Current (mA)	317	158	79	
Max Operate Voltage (VDC)	3.9	7.8	15.6	
Min Release Voltage (VDC)	0.6	1.2	2.4	
Max Applicable Voltage	70°C 130%, 23°C 170%			

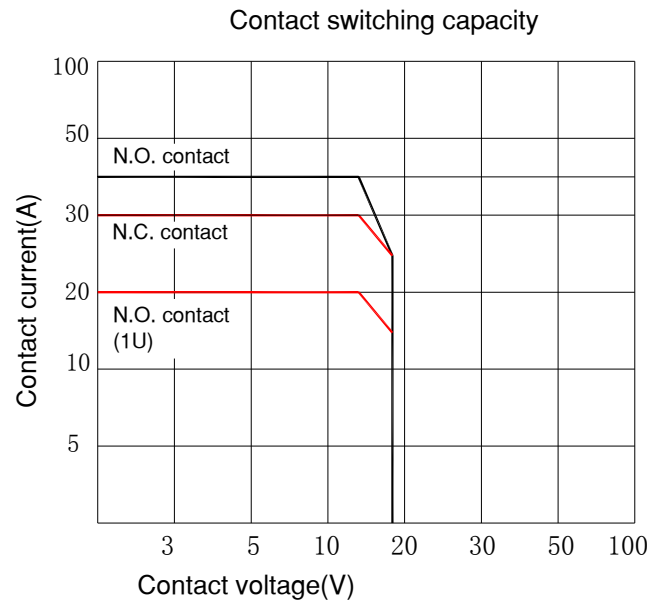
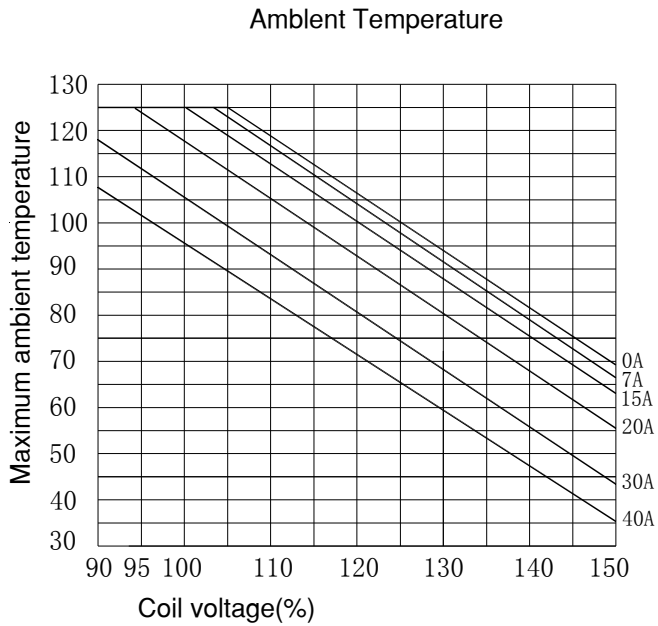
CONTACT DATA

Contact Form	1Z/1H/1D/1U
Contact Material	Silver Alloy
Load	Resistive load (COS Φ 1)
Contact Ratings	NO: 40A 14VDC , 2X20A 14VDC (1U) NC: 30A 14VDC
Max Switching Voltage	30VDC
Max Switching Current	40A
Max Switching Power	560W
Contact Resistance	100m Ω Max at 6VDC 1A
Life Expectancy	Electrical : 100,000 Operations(at30 Operations/minute)
	Mechanical: 10,000,000 Operations(at300 Operations/minute)

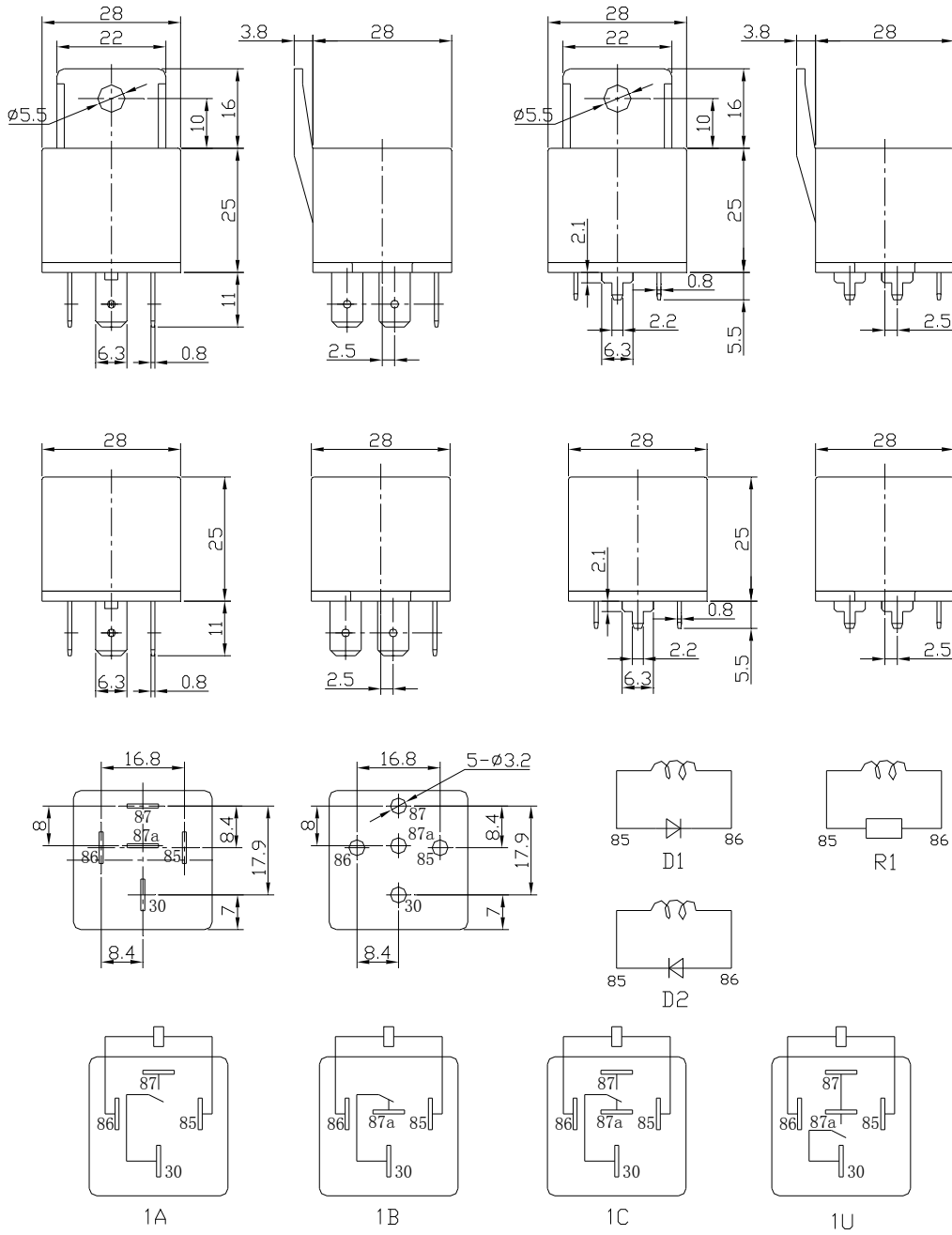
■ CHARACTERISTICS DATA

Insulation Resistance	100M Ω Min at 500VDC
Dielectric Strength Between Open Contacts	500VAC(for one minute)
Between Contacts and coil	750VAC(for one minute)
Operate Time	10ms
Release Time	10ms
Temperature Range	-40°C to +85°C
Shock Resistance	Operating Extremes: 10G
	Damage Limits: 20G
Vibration Resistance	10-40Hz, 1.5mm
Max. switching frequency	Mechanical: 18,000operations/hr
	Electrical: 1,800operations/hr
Humidity	40-85%
Weight	Approx 40g

■ ENGINEERING DATA



OVERALL AND MOUNTING DIMENSIONS



Indian Technological Products Private Limited

22-23, Type-B, Hartron Complex, Electronic City, Sector-18, Udyog Vihar, Gurgaon -122 016, Haryana (India)
 Telephone: +91-124-4013646, 4013647 Fax: +91-124-2398277 Email: info@itpindia.in www.itpindia.com