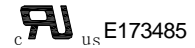


| | |
|--|------|
| | TR5V |
|--|------|

- Designed for thermostat modem, computer peripherals, video recording and security applications
- Surge Strength 1500V FCC68
- Low coil power requirement for IC compatibility
- Terminals arranged on gird pattern
- Designed for compact, high density mounting
- Conform to RoHS, ELV directive



ORDERING CODE

| | | | | |
|--|--|--|--|--|
| <u>TR5V</u> <u>D</u> — <u>S</u> — <u>Z</u> / <u>12VDC</u> 1 2 3 4 5 | | | | |
| 1. Relay Model 2. Coil Power D=0 3 6 W, L=0 2W, M=0 1 5 W 3. S: Sealed | 4. Z Form C 5. Coil Nominal Voltage 3,5,6,9,12,24VDC | | | |

COIL DATA (at 20°C)

| | | | | | | | |
|---------------------------------------|----------------------|------|------|------|------|------|-------|
| Nominal Voltage (VDC) | 3 | 5 | 6 | 9 | 12 | 24 | 0.15W |
| Coil Resistance ($\Omega \pm 10\%$) | 60 | 167 | 240 | 540 | 960 | 3840 | |
| Rated Current (mA) | 50 | 29.9 | 25 | 16.7 | 12.5 | 6.3 | |
| Max Operate Voltage (VDC) | 2.4 | 4 | 4.8 | 7.2 | 9.6 | 19.2 | |
| Min Release Voltage (VDC) | 0.3 | 0.5 | 0.6 | 0.9 | 1.2 | 2.4 | |
| Coil Resistance ($\Omega \pm 10\%$) | 45 | 125 | 180 | 405 | 720 | 2880 | 0.2W |
| Rated Current (mA) | 66.7 | 40 | 33.3 | 22.2 | 16.7 | 8.3 | |
| Max Operate Voltage (VDC) | 2.25 | 3.75 | 4.5 | 6.75 | 9 | 18 | |
| Min Release Voltage (VDC) | 0.3 | 0.5 | 0.6 | 0.9 | 1.2 | 2.4 | |
| Coil Resistance ($\Omega \pm 10\%$) | 25 | 70 | 100 | 220 | 400 | 1600 | 0.36W |
| Rated Current (mA) | 120 | 72 | 60 | 40 | 30 | 15 | |
| Max Operate Voltage (VDC) | 2.25 | 3.75 | 4.5 | 6.75 | 9 | 18 | |
| Min Release Voltage (VDC) | 0.3 | 0.5 | 0.6 | 0.9 | 1.2 | 2.4 | |
| Max Applicable Voltage | 70°C 130%, 23°C 170% | | | | | | |

■ CONTACT DATA

| | | |
|-----------------------|--|-----------------------|
| Contact Form | 1Z | |
| Contact Material | Silver Alloy | |
| Load | Resistive load(COS Φ =1) | |
| Contact Ratings | 1A 120VAC 1A 24VDC | 2A 120VAC 2A 24VDC |
| Minimum load | 1mA 5VDC | |
| Max Switching Voltage | 120VAC/60VDC | |
| Max Switching Current | 1A | 2A |
| Max Switching Power | 120VA/30W | 240VA/48W |
| Contact Resistance | 100m Ω Max at 6VDC 1A | |
| Life Expectancy | Electrical : 100, 000 Operations(at30Operations/minute) | |
| | Mechanical : 10, 000, 000 Operations(at300Operations/minute) | |

■ CHARACTERISTICS DATA

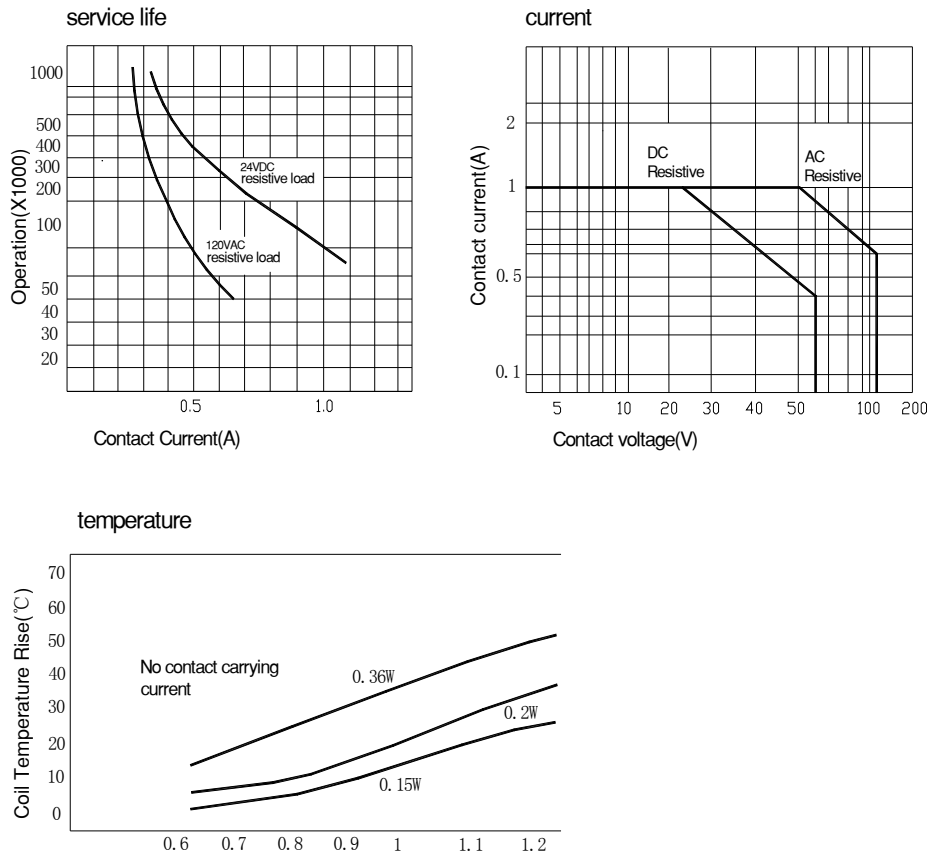
| | |
|---|---|
| Insulation Resistance | 1000M Ω Min at 500VDC |
| Dielectric Strength Between Open Contacts | 400VAC(for one minute) |
| Between Contacts and coil | 1000VAC(for one minute) |
| Operate Time | 4ms |
| Release Time | 3ms |
| Temperature Range | -30°C to +85°C |
| Shock Resistance | Operating Extremes : 10G |
| | Damage Limits : 100G |
| Vibration Resistance | 10-55Hz, Double amplitude of 1.5mm |
| Max. switching frequency | Mechanical: 18,000operations/hr Electrical: 1,800operations/hr |
| Humidity | 35-85% |
| Weight | Approx 2.2g |
| Safety Standard | UL cUL |

■ APPROVED STANDARDS

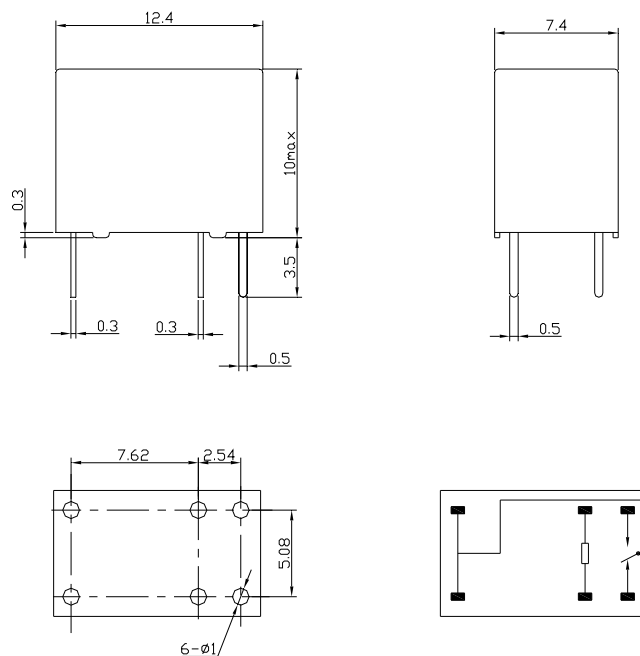
| Model | Coiling rating | Safety Standard | Contact rating |
|-------|----------------|-----------------|-----------------------------|
| TR5V | 3 to 24VDC | UL/cUL | 1A/2A 120VAC 1A/2A 24VDC |

Indian Technological Products Private Limited

ENGINEERING DATA



OVERALL AND MOUNTING DIMENSIONS



Indian Technological Products Private Limited

22-23, Type-B, Hartron Complex, Electronic City, Sector-18, Udyog Vihar, Gurgaon -122 016, Haryana (India)
 Telephone: +91-124-4013646, 4013647 Fax: +91-124-2398277 Email: info@itpindia.in www.itpindia.com