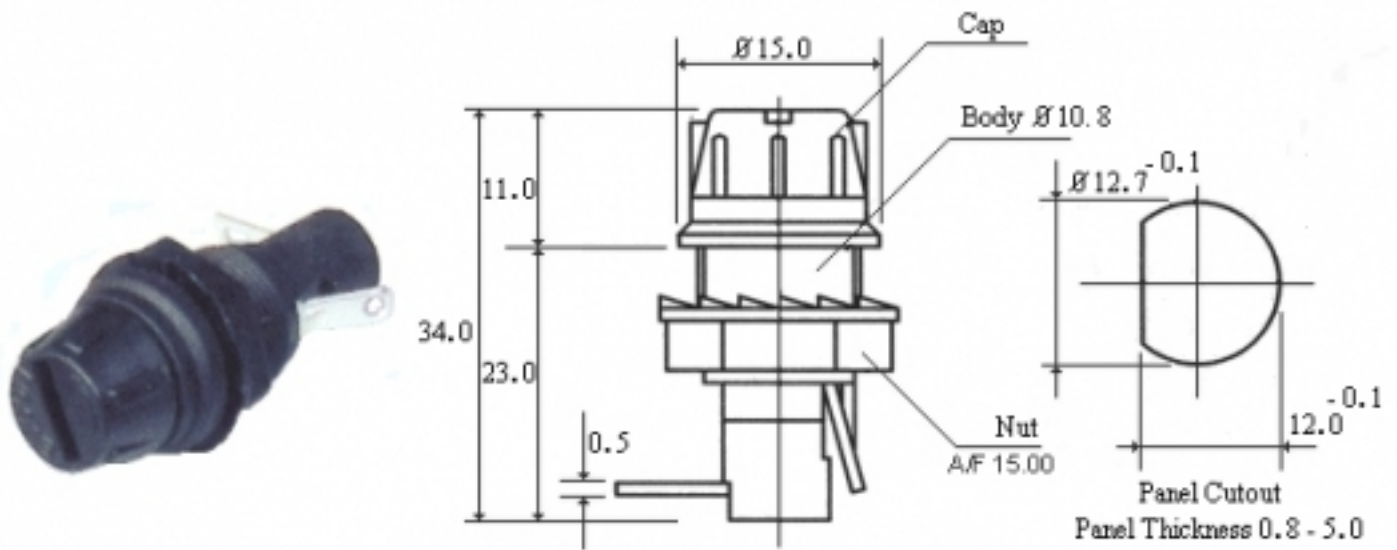


**Approvals:** 
**CDOT LCSO CACT**


## Specifications

Mounting Style:	Panel
Permissible Temp. With / Without load:	-20 deg C to +85 Deg. C
Permissible Temp. For Soldering:	270 Deg. C for 5 seconds max.
Panel Thickness(Max):	6.0 mm
Material:	Polyamide G.F. .
Insulation Resistance:	1000 M Ohms min.
H. V. Break Down:	2 KV/AC For 1 Minute .
Current Carrying Parts:	Brass, Tin Plated
Contact Resistance (Initial):	10 m Ohms max.
Cap Design:	Screw-In With Coin Slot .
App. Weight(Gm):	6.0 .
Fuse Link Size:	5 x 20 mm
Rated Current / Voltage:	6.3 Amps, 250V AC
Terminals:	Solder-type



### Indian Technological Products Private Limited

22-23, Type-B, Hartron Complex, Electronic City, Sector-18, Udyog Vihar, Gurgaon -122 016, Haryana (India)  
 Telephone: +91-124-4013646, 4013647 • Fax: +91-124-2398277  
 Email: sales@itpindia.in • [www.itpindia.com](http://www.itpindia.com) • CIN: U74899DL1986PTC023265