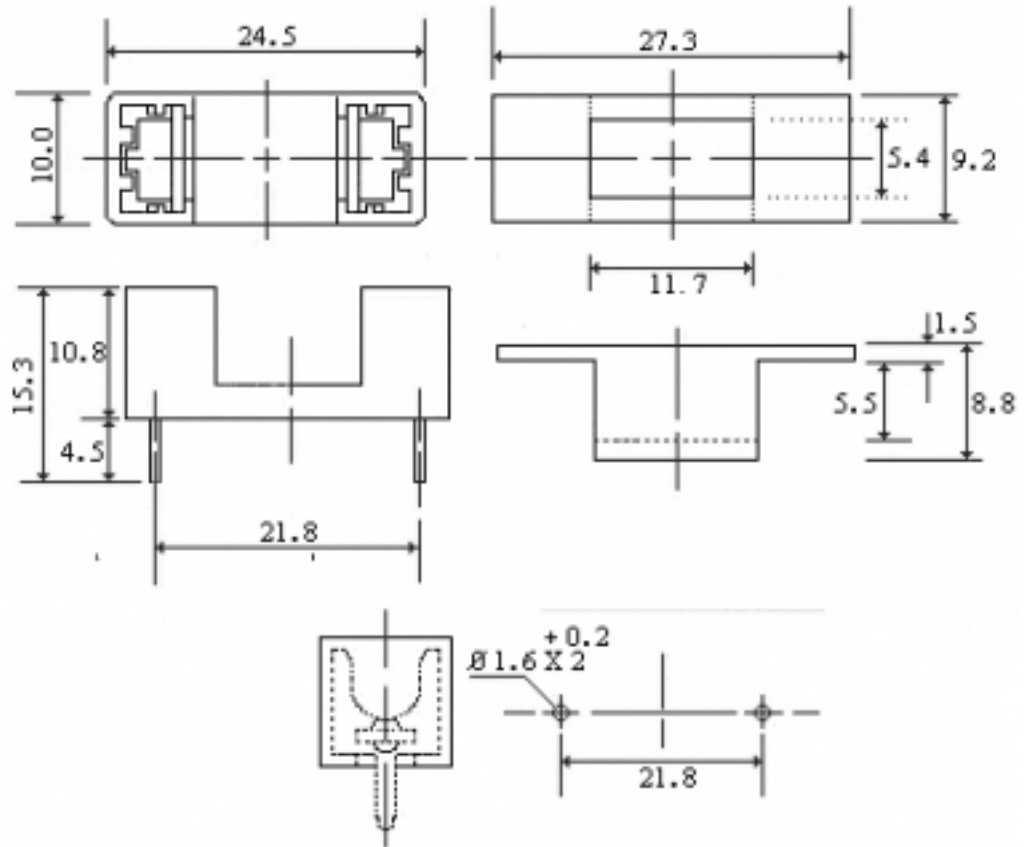


Approvals: 

CDOT CACT



Specifications

Mounting Style:	PCB-type
Permissible Temp. With / Without load:	-20 deg C to +85 Deg. C
Permissible Temp. For Soldering:	270 Deg. C for 5 seconds max.
Panel Thickness(Max):	N.A.
Material:	Polyamide G.F. .
Insulation Resistance:	1000 M Ohms min.
H. V. Break Down:	2 KV/AC For 1 Minute .
Current Carrying Parts:	Brass, Tin Plated
Contact Resistance (Initial):	10 m Ohms max.
Cap Design:	N.A.
App. Weight(Gm):	2.5 gm .
Fuse Link Size:	5 x 20 mm
Rated Current / Voltage:	6.3 Amps, 250V AC
Terminals:	Solder-type